

# HA-5102

## SPICE OPERATIONAL AMPLIFIER MACRO-MODEL

Authors: Doug Youngblood and Bobby Huckabee

### **Introduction**

This application note describes the SPICE macro-model for the HA-5102, a low noise dual op amp. The model was designed to be compatible with the well known SPICE program developed by the University of California in hope that most simulation software vendors follow this basic format and syntax. A schematic of the macro-model, the SPICE net listing and various simulated performance curves are included. The macro-model schematic includes node numbers to help relate the SPICE listing to the schematic. The model simulates most AC and DC parameters. The significant dominant poles and zeros are included to give the most accurate AC simulation with minimum model complexity. The listing is for one of the two amplifiers available on the actual chip.

### **Model Description**

#### **Input Stage**

DP and DN represent the differential input resistance. Input bias currents are created by I1 and offset current is created by FA. VIO represents the input offset voltage. C1 is used to limit slew rate. No input parasitics due to package capacitance and lead inductance are included.

#### **Gain Stage**

G2, R2, CC, GOL and RD simulate the open loop gain. CC is the compensation capacitor which determines the first dominant pole.

#### **Poles-Zeros**

The five poles of the HA-5102 are modeled by RC networks while RL networks are used to model the four zeros. The one complex pole used is modeled by an RCL network. The frequency of all poles and zeros is shown on the macro-model schematic.

#### **Output Stage**

EX1, D1, and D2 create output current limiting. IH and IL are the supply currents. FIN and FIP vary the supply currents based on the op amps output current. DL, DH, VL and VH provide voltage clamping on the output to simulate the typical output voltage swing. No output parasitics due to package capacitance and lead inductance are included.

### **Parameters Not Modeled**

To maintain a simple macro-model not all op amp parameters are modeled. Most of the parameters not modeled are listed below:

- Temperature Effects
- Differential Voltage Restrictions
- Input Noise Voltage
- Input Noise Current
- Common Mode Restrictions
- Tolerances for Monte Carlo Analysis
- Power Supply Range

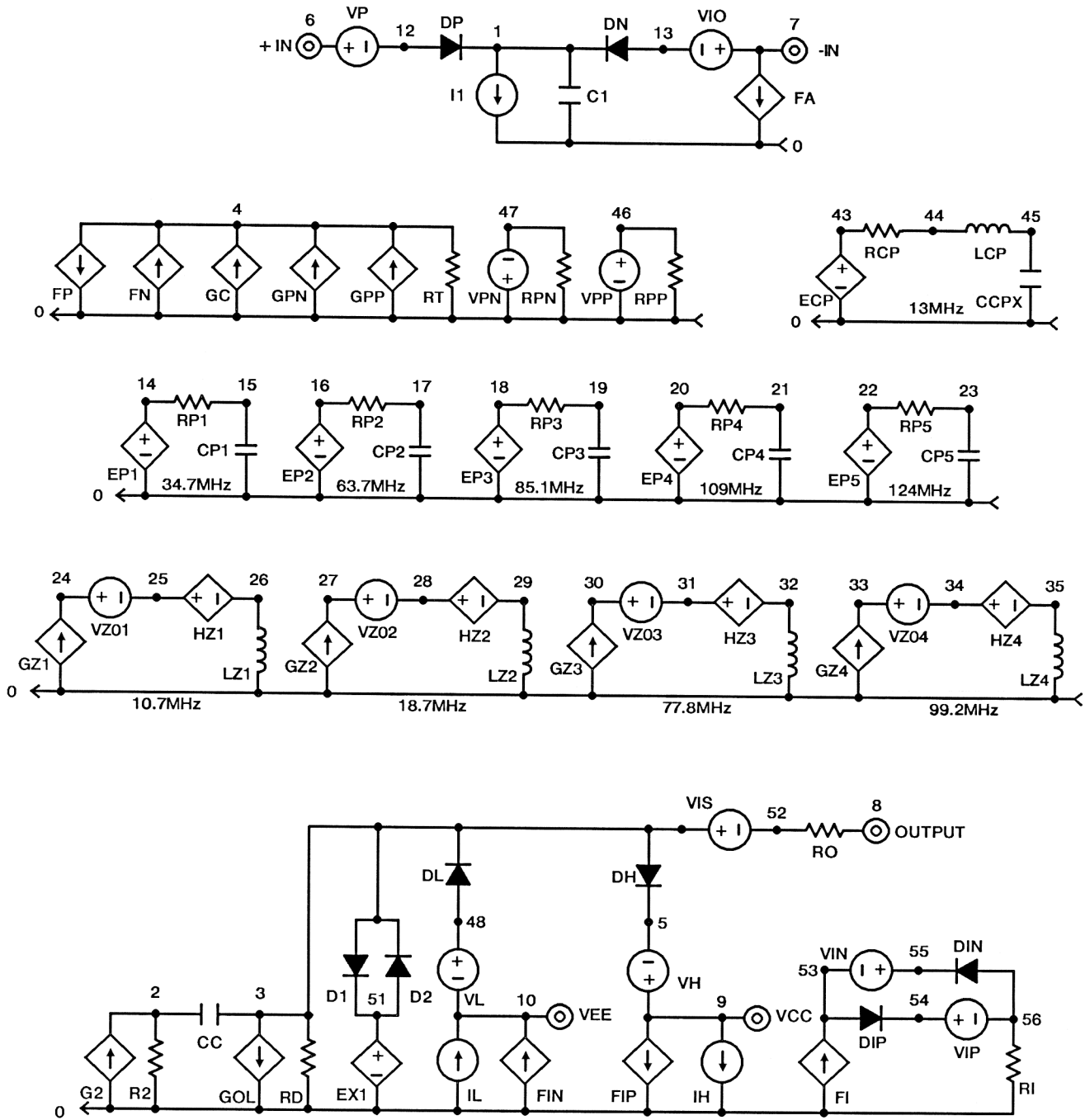
**Spice Listing**

```

*
* COPYRIGHT © 1991, 2002 INTERSIL AMERICAS INC.
* ALL RIGHTS RESERVED
*
*HA-5102 MACRO-MODEL
*REV: 8/8/91
*BY: D.L. YOUNGBLOOD
*
*THE SCHEMATIC FOR THIS REV. IS THE SAME AS
*11/03/89. THE SUBCIRCUIT CALL IS DIFFERENT
*AND ONLY 1 AMP IS PRESENT.
*PINOUT CHANGED TO CONFORM TO "STANDARD"
*
*PINOUT: +IN -IN VCC VEE VOUT
*
*ACTUAL CHIP ICC/IEE WILL HAVE 2 AMPLIFIERS + 1mA
*
.SUBCKT HA5102 6 7 9 10 8
.MODEL DP D IS=1E-14 N=+9.6204E-01
.MODEL DN D IS=+1.0012E-14 N=+9.6204E-01
.MODEL DV D IS=1E-14 N=.1
.MODEL D1 D IS=1E-14 N=1
.MODEL D2 D IS=1E-14 N=+9.8914E-01
*
*INPUT VOLTAGE
*
VP 6 12 0
DP 12 1 DP
*
*THE VALUE OF SOURCE "VIO" REPRESENTS OFFSET VOLTAGE
*AND MAY BE CHANGED TO SIMULATE WORST CASE IF DESIRED
*
VIO 7 13 +2.2845E-04
*
DN 13 1 DN
FA 7 0 VIO 9.7559E-02
I1 1 0 +5.1342E-08
C1 1 0 +2.6360E-16 IC=-3.6478E-01
FP 4 0 VP +9.7214E+02
FN 0 4 VIO +9.7098E+02
GC 0 4 1 0 +1.0090E-08
GPP 0 4 9 46 +9.9726E-10
GPN 0 4 47 10 +1.4492E-08
RT 4 0 1.0
VPP 46 0 +1.5E+01
RPP 46 0 1K
VPN 0 47 +1.5E+01
RPN 0 47 1K
*
*GENERAL POLES
*
EP1 14 0 4 0 1.0
RP1 14 15 +4.5768E+01
CP1 15 0 1.0E-10
EP2 16 0 15 0 1.0
RP2 16 17 +2.4966E+01
CP2 17 0 1.0E-10
EP3 18 0 17 0 1.0
RP3 18 19 +1.8702E+01
CP3 19 0 1.0E-10
EP4 20 0 19 0 1.0
RP4 20 21 +1.4508E+01
CP4 21 0 1.0E-10
EP5 22 0 21 0 1.0
RP5 22 23 +1.2762E+01
CP5 23 0 1.0E-10
*
*GENERAL ZEROS
*
GZ1 0 24 23 0 +1.4852E-02
VZ01 24 25 0.0
HZ1 25 26 VZ01 +6.7333E+01
LZ1 26 0 1.0E-6
GZ2 0 27 24 0 +8.5174E-03
VZ02 27 28 0.0
HZ2 28 29 VZ02 +1.1741E+02
LZ2 29 0 1.0E-6
GZ3 0 30 27 0 +2.0450E-03
VZ03 30 31 0.0
HZ3 31 32 VZ03 +4.8900E+02
LZ3 32 0 1.0E-6
GZ4 0 33 30 0 +1.6037E-03
VZ04 33 34 0.0
HZ4 34 35 VZ04 +6.2354E+02
LZ4 35 0 1.0E-6
*
*COMPLEX POLE
*
ECP 43 0 33 0 1.0
RCP 43 44 +2.4045E+04
LCP 44 45 +1.4988E-04
CCPX 45 0 1.0E-12
*
*GAIN/OUTPUT STAGE
*
G2 0 2 45 0 1.0
R2 2 0 +8.9835E+05
CC 2 3 +2.2000E-11
GOL 3 0 2 0 +6.1330E+01
RD 3 0 +4.6980E+00
DH 3 5 DV
DL 48 3 DV
VH 9 5 1.607
VL 48 10 1.5986
IH 9 0 +1.0E-03
IL 0 10 +1.0E-03
D1 3 5 1 D1
D2 5 1 3 D2
EX1 51 0 POLY 2 3 0 3 8 0 1 -4.0840E-01
RO 52 8 +1.0611E+02
VIS 3 52 0
FI 0 53 VIS 1
DIP 53 54 DV
DIN 56 55 DV
VIP 54 56 0
VIN 55 53 0
RI 56 0 1.0
FIP 9 0 VIP 1.0
FIN 0 10 VIN 1.0
.ENDS HA5102

```

Macro-Model Schematic



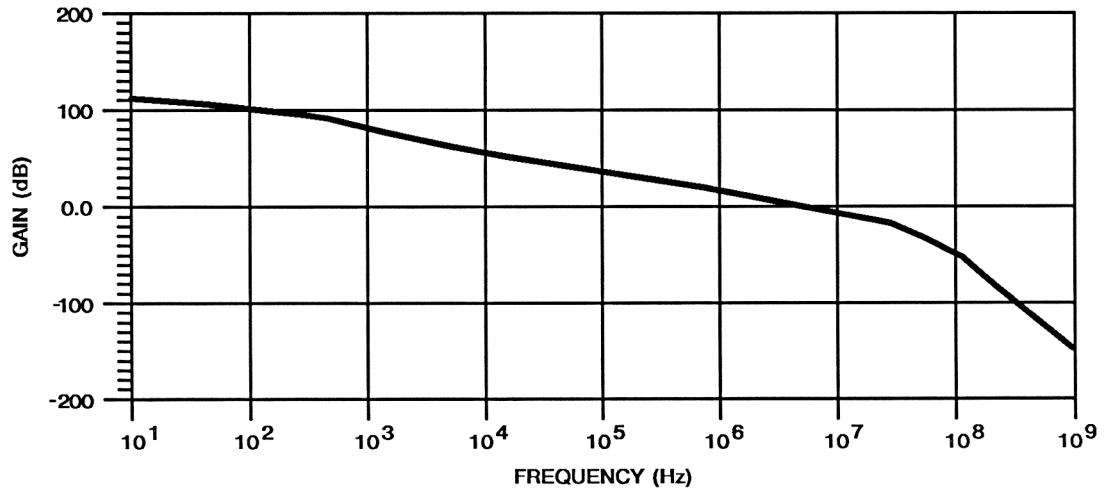
All Intersil products are manufactured, assembled and tested utilizing ISO9000 quality systems.  
Intersil Corporation's quality certifications can be viewed at [www.intersil.com/design/quality](http://www.intersil.com/design/quality)

*Intersil products are sold by description only. Intersil Corporation reserves the right to make changes in circuit design, software and/or specifications at any time without notice. Accordingly, the reader is cautioned to verify that data sheets are current before placing orders. Information furnished by Intersil is believed to be accurate and reliable. However, no responsibility is assumed by Intersil or its subsidiaries for its use; nor for any infringements of patents or other rights of third parties which may result from its use. No license is granted by implication or otherwise under any patent or patent rights of Intersil or its subsidiaries.*

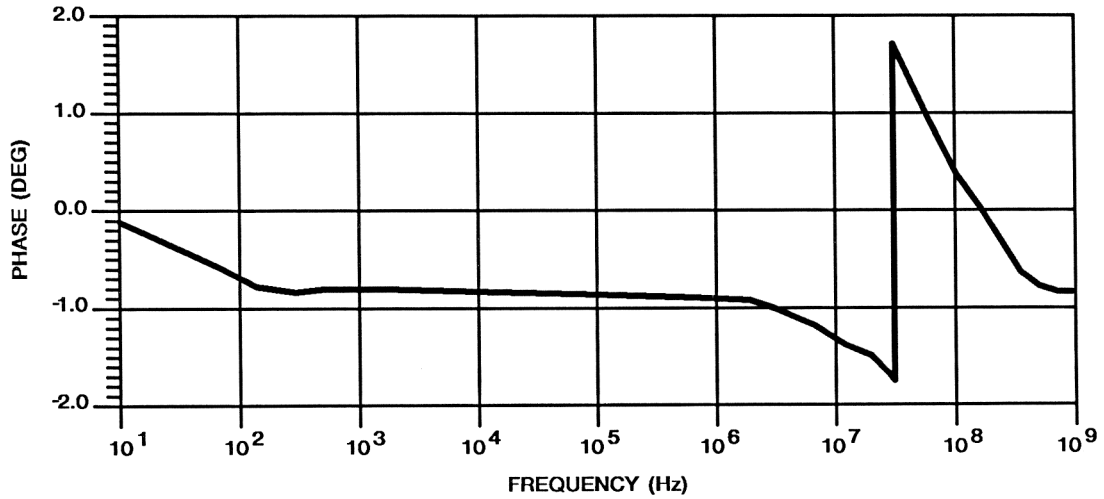
For information regarding Intersil Corporation and its products, see [www.intersil.com](http://www.intersil.com)

# Macro Model MM5102

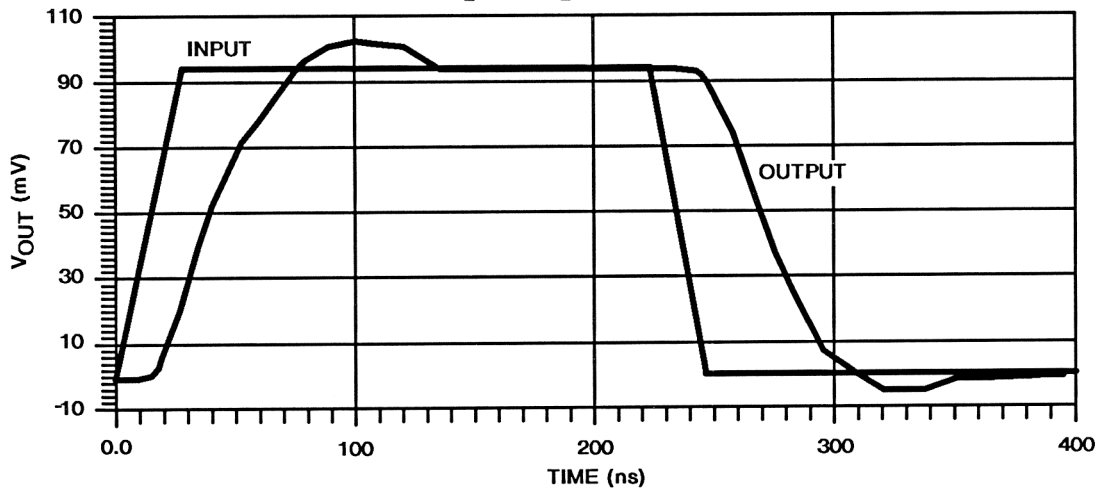
OPEN LOOP GAIN PLOT  
( $R_L = 2K$ ,  $C_L = 50$  pF)



OPEN LOOP PHASE PLOT



SMALL SIGNAL RESPONSE  
( $R_L = 2K$ ,  $C_L = 50$  pF)



Model Performance (Continued)

